

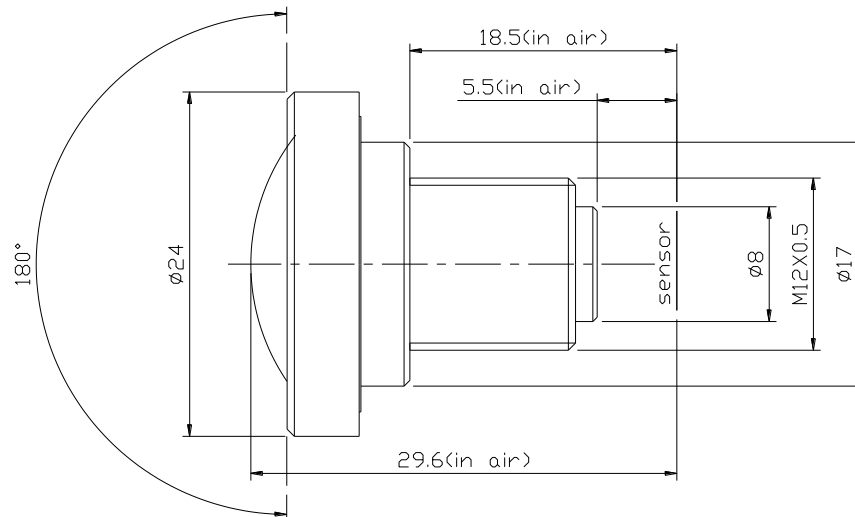
Megapixel IR Fisheye Lens



1.57MPMIRF

E.F.L.		1.57 mm
F No.		F2.2
Mount Type		M12×0.5
H.FOV	Φ4.1mm	185°
Image Format (Max)		1/2.3"
Iris Type		Fixed
M.O.D		0.15m
Control Type	Zoom	/
	Focus	/
Operating Temperature		-20°C ~ 60°C
Weight		g

Dimensions



MT9J003 / IMX172
1/2.3"

MT9P006
1/2.5"

AR0330 / 0331
1/3.2"