

BW-PGM

BW30 / BW64 Interface Unit



Installation Instructions

1. DESCRIPTION

BW-PGM (see Figure 1) is an output interface module designed to provide alarm, trouble events and status signals to external devices such as long range wireless monitoring transmitters, CCTV systems, home-automation systems, LED annunciation panels, etc.

The BW-PGM provides 5 solid state relay contact outputs and is designed to be used as a plug-in internal add-on module with BW30 and BW64 control panels.

Note: The BW-PGM will be active only if the BW-PGM option was enabled in the factory default of the control panel.

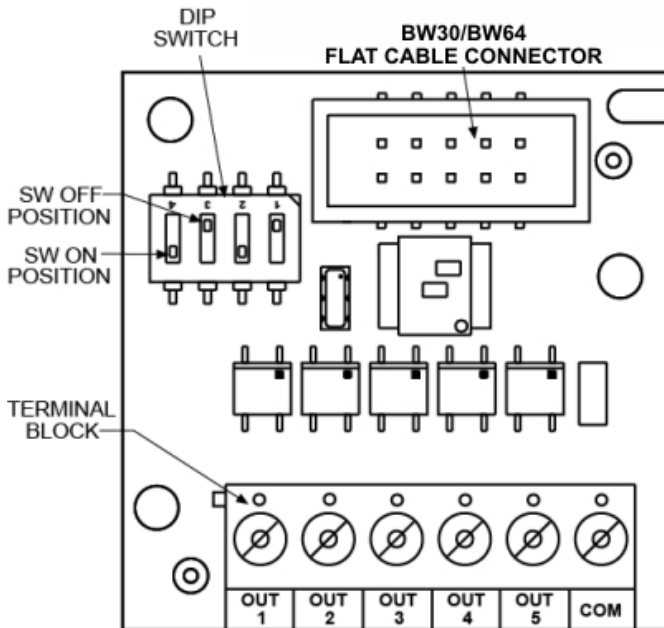


Figure 1 – BW-PGM Printed Circuit

Outputs 1 to 4 provide pre-set signals while output 5 is programmable using DIP switches SW-3 & SW-4 – see Tables 1 & 2.

Table 1 – Output Definitions

Output	Event Type
OUT 1	Burglar & 24Hr audible alarm (Bell time duration). Tamper & 24 Hr silent (2 sec. pulse)
OUT 2	Panic (2 sec. pulse)
OUT 3	Fire (Bell time duration).
OUT 4	Arm / Disarm (actual status of the panel)
OUT 5	See table 2

Table 2 – OUT 5 Signal Setting

SW-4	SW-3	Event Type
OFF	OFF	General trouble (until restored)
ON	OFF	General Low battery (until restored)
OFF	ON	Gas or CO alarm (until restored)
ON	ON	AC failure reported (until restored)

The outputs can be set to either normally open (N.O) or normally closed (N.C), according to the specific application, using DIP switches SW-1 (for outputs 1, 2, 3 & 5) and SW-2 for output 4 (Arm/Disarm) – see table 3.

Table 3 – N.O or N.C Outputs Normal State Setting

Outputs	Switch Setting	Output Normal State	
OUT 1,2, 3 & 5	ON	N.C - Normally Close	
	OFF	N.O – Normally Open	
OUT 4	ON	N.C. = Disarm	N.O. = Arm
	OFF	N.C. = Arm	N.O. = Disarm

Each output will change its state upon occurrence of an event or change of status and will revert to its normal state upon restoration of the event or change of status.

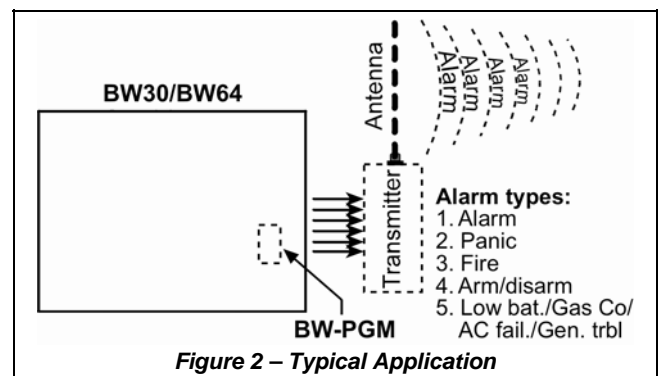


Figure 2 – Typical Application

Figure 3 displays electrical wiring diagrams where the BW-PGM module is connected to an alarm transmitter and to a LED Annunciation Panel.

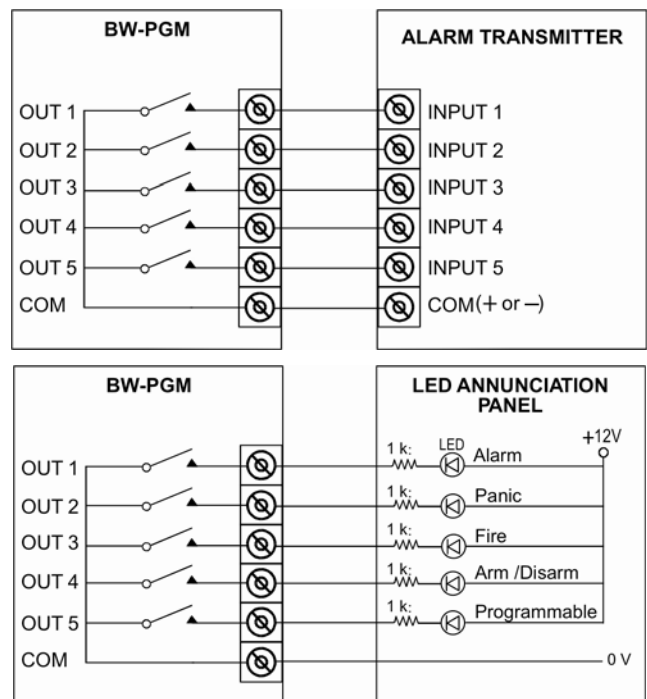


Figure 3 – Electrical Wiring of BW-PGM Module and Alarm Transmitter/ LED Annunciation Panel

2. SPECIFICATIONS

Number of Outputs: 5

Output Type: Solid State Relay – dry contact.

Predefined Output State: N.O. or N.C. programmable (by DIP switch).

Maximum Load Current: 100 mA

Maximum Peak Current: 350 mA @ 10 ms

Output Resistance R_{ON} : 16Ω max. @ $I_L = 100$ mA

N.O. Leakage Current: <1 μA

Maximum Load Voltage: 15 V

Operating Temperatures: 0°C to 50°C (32°F to 122°F)

Compliance with Standards: EN 50130-4

3. MOUNTING AND WIRING

In the BW64 control panel, press the BW-PGM module into the marked location (see Figure 4b) until a click is heard.

In the BW30 control panel, use the two screws to fasten the BW-PGM module into the marked location, as illustrated in Figure 4a.

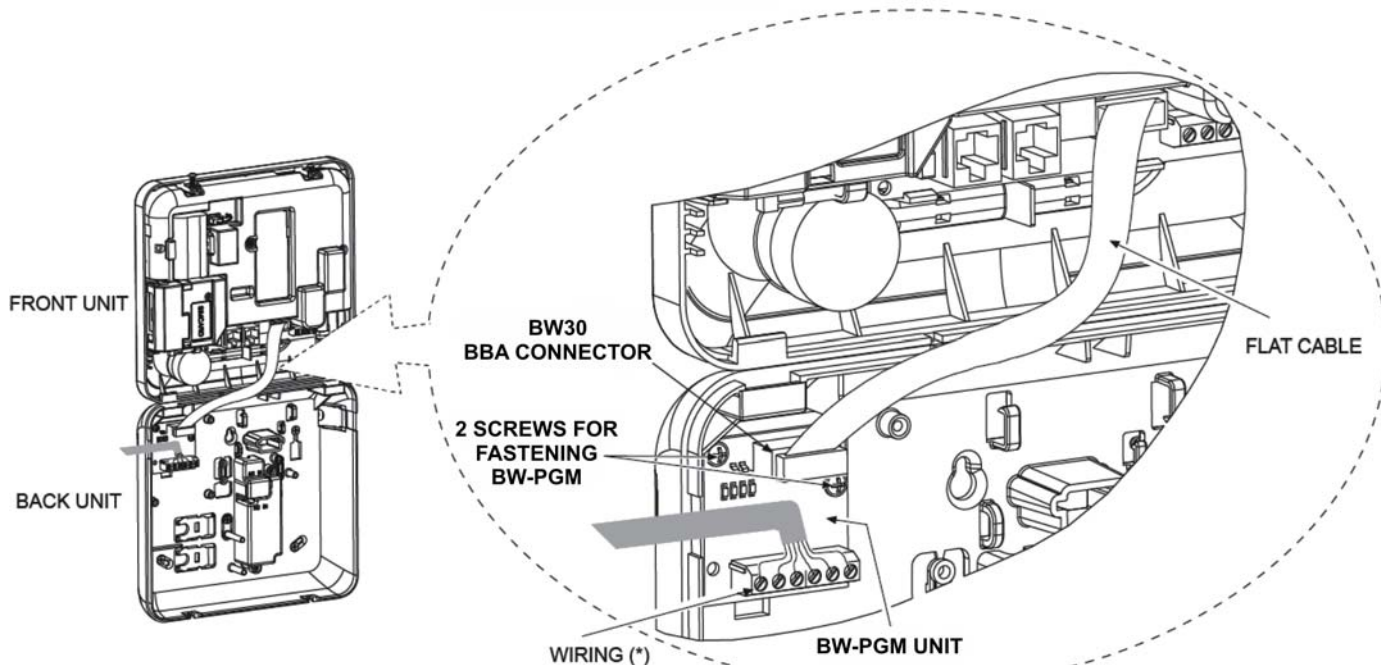


Figure 4a – BW-PGM Mounting and Wiring in BW30 Control Panel

** It is strongly recommended to route the cable as shown to prevent interference which may occur if routed too close to the control panel's antennas.*

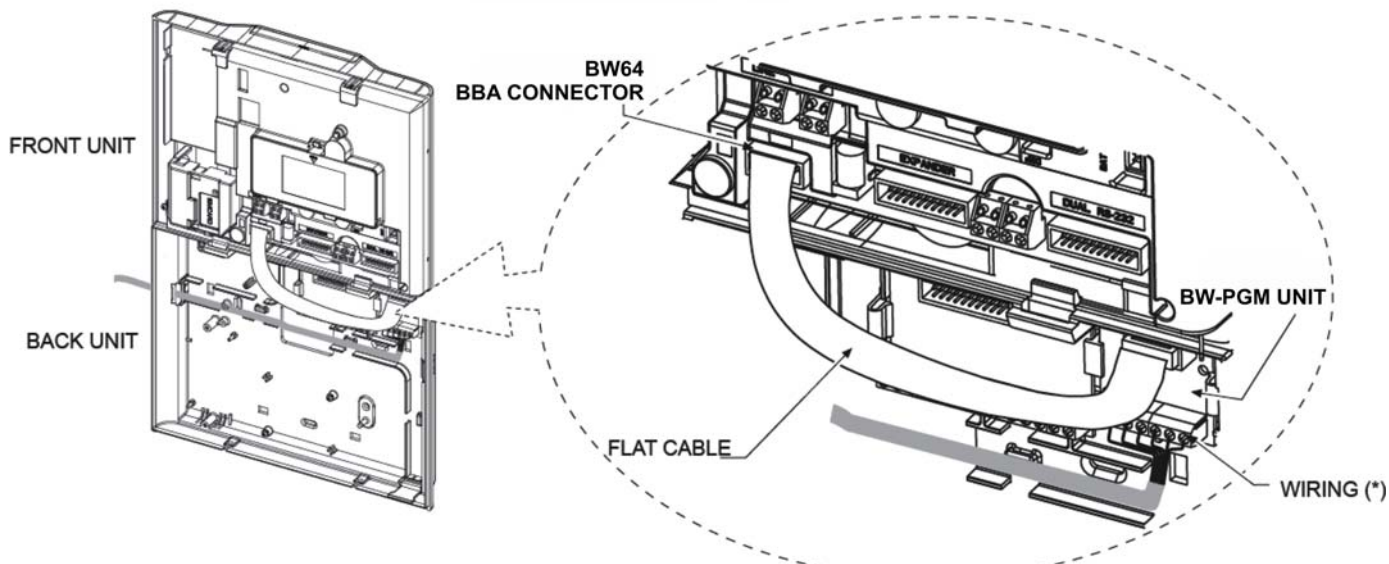


Figure 4b – BW-PGM Mounting and Wiring in BW64 Control Panel

** It is strongly recommended to route the cable as shown to prevent interference which may occur if routed too close to the control panel's antennas.*

**INFORMAZIONI SUL RICICLAGGIO**

BENTEL SECURITY consiglia ai clienti di smaltire i dispositivi usati (centrali, rilevatori, sirene, accessori elettronici, ecc.) nel rispetto dell'ambiente. Metodi potenziali comprendono il riutilizzo di parti o di prodotti interi e il riciclaggio di prodotti, componenti e/o materiali.

Per maggiori informazioni visitare: <http://www.bentelsecurity.com/index.php?o=enviromental>

DIRETTIVA RIFIUTI DI APPARECCHIATURE ELETTRICHE ED ELETTRONICHE (RAEE – WEEE)

Nell'Unione Europea, questa etichetta indica che questo prodotto NON deve essere smaltito insieme ai rifiuti domestici. Deve essere depositato in un impianto adeguato che sia in grado di eseguire operazioni di recupero e riciclaggio

Per maggiori informazioni visitare: <http://www.bentelsecurity.com/index.php?o=enviromental>

**BENTEL
SECURITY***Di Tyco Security Products*

Via Gabbiano, 22 – Zona Ind. S. Scolastica – 64013 Corropoli (TE) ITALY – Tel.: +39 0861 839060 – Fax: +39 0861 839065 – e-mail: infobentelsecurity@tycoint.com

<http://www.bentelsecurity.com>

ISTISBL4BW-PGM 0.0 130913 MW 7.0

