

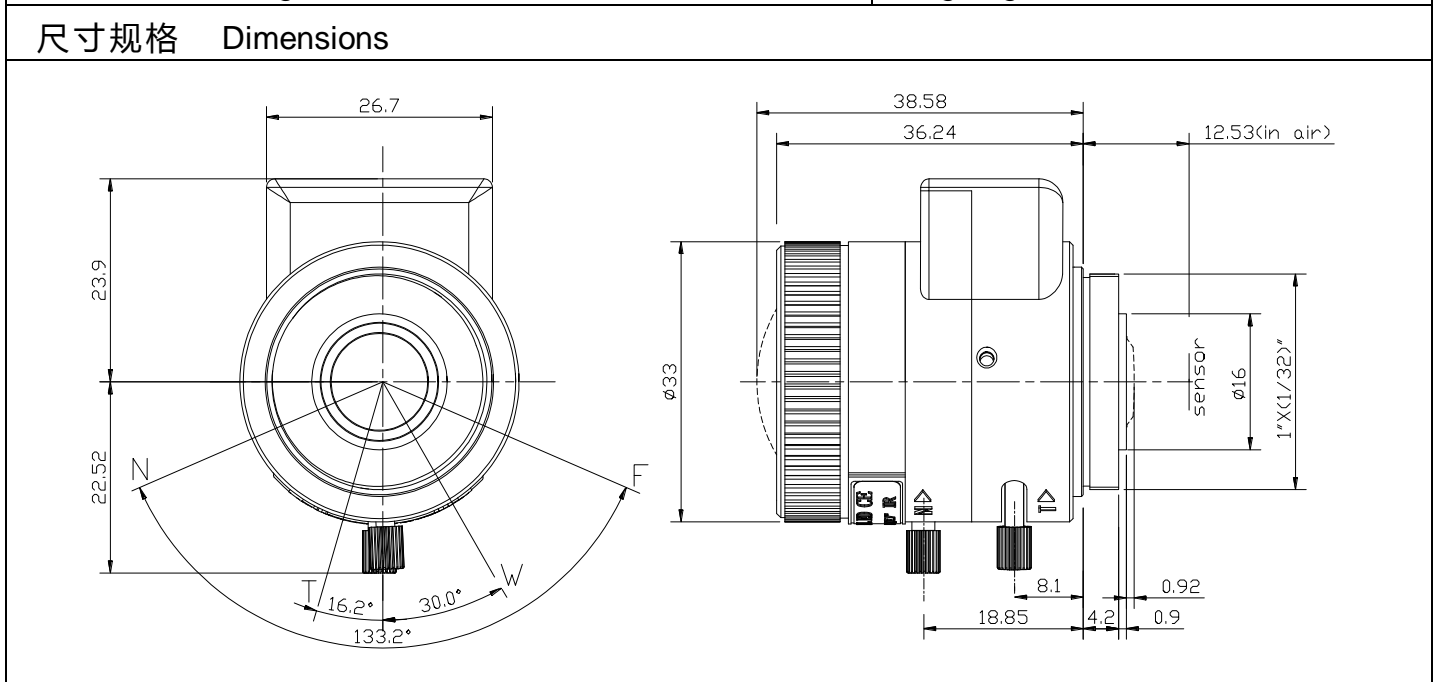
1/2.7" Megapixel IR Series

NV0722D.IR-B-S

- 7 - 22mm
- CS Mount
- 1/2.7" Format
- DC-IRIS
- 3 Megapixel
- IR Correction



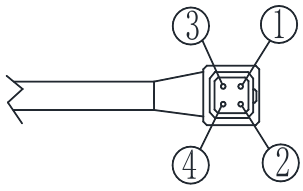
有效焦距	E.F.L.		7 ~ 22 mm
相对孔径	F No.		F1.4
水平视角	H.FOV	1/2.8" 1080P	43° ~ 14°
像面尺寸	Image Format		1/2.7"
光圈类型	Iris Type		DC-Iris
接口类型	Mount Type		CS
近摄距	M.O.D		1m
畸变	TV Distortion	1/2.8" 1080P	-5% (wide)
主光角	Chief Ray Angle (Max)		<11°
操控方式	Control Type	变倍 Zoom	Manual
		聚焦 Focus	Manual
工作温度	Operating Temperature		-20°C ~ 60°C
镜头重量	Weight		39g ±4g



Tolerance(mm)	0 ~ 10 ±0.05	10 ~ 30 ±0.10	30 ~ 120 ±0.20	Angle ±2°
---------------	--------------	---------------	----------------	-----------

DC-Iris

1. Connector and Cord Specification

	1	Damping(-)
	2	Damping(+)
	3	Driving(+)
	4	Driving(-)
Connector	Square 4 pin	JEITA Standard
	Cable Length	250mm

2. DC-Iris Specification

DC Motor	Driving Coil	190Ω at 20°C
	Control	560Ω at 20°C
	Storage Temperature	-30 ~ 70°C
Operating	Voltage (Open)	3.5 ~ 5V
	Voltage (Close)	<0.5V
	Operating Temperature	-20 ~ 60°C