

DH-PFA113

Ceiling Mount Bracket



Features

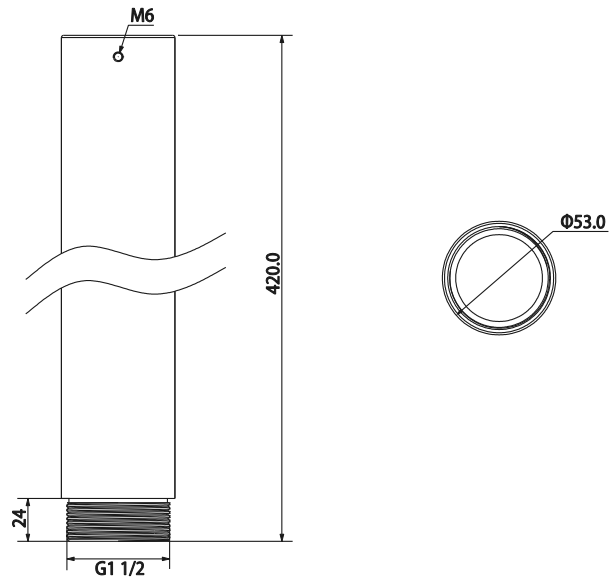
- Material: Aluminum
- Ceiling Mount Bracket
- Neat & Integrated design

Specifications

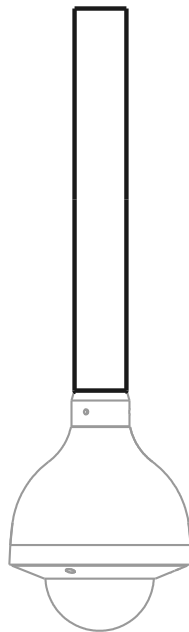
Model	DH-PFA113
General	
Material	Aluminum
Dimension (W x H x D)	Φ53mm x 420mm
Pipe Thread	1 1/2" PF
Operating Temperature	-40°C ~60°C
Humidity	0~90% RH
Load Bearing	N/A
Weight	1.0kg
Applicable Model	PFB300C, PFB301C

DH-PFA113

Dimensions (mm)



Application



Securitem Ltd.

20811 Cesano Maderno (MB) - Italy

Tel: +39-0362-1855440

Fax: +39-02-45503999

Email: info@setik.biz

www.setik.biz

*Design and specifications are subject to change without notice.

© 2013 Dahua Technology Co., Ltd.