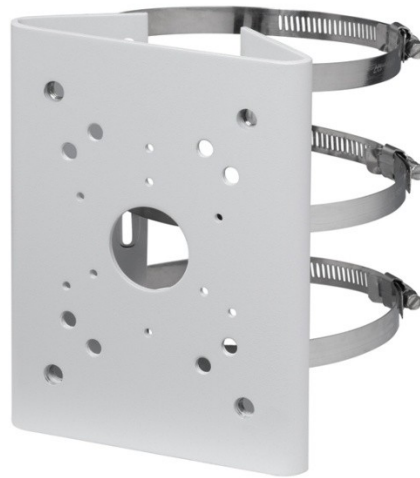


# DH-PFA150

## Pole Mount Bracket



### Features

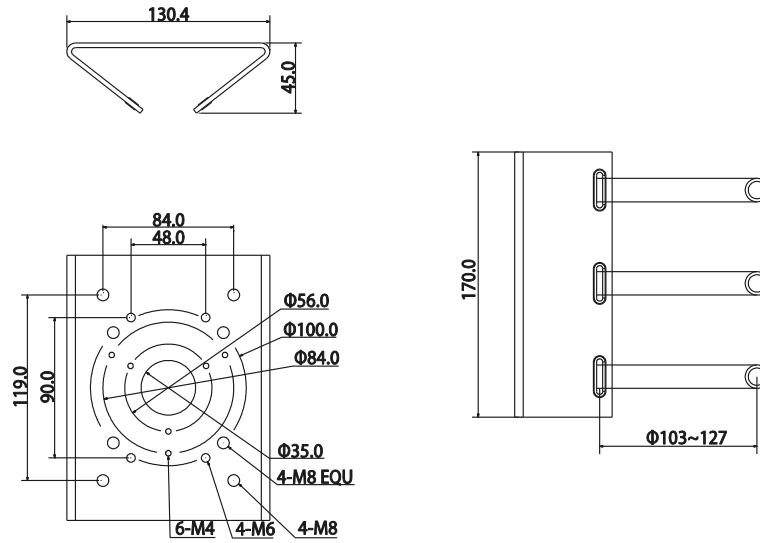
- Material: SECC
- Pole Mount Bracket
- Neat & Integrated design

### Specifications

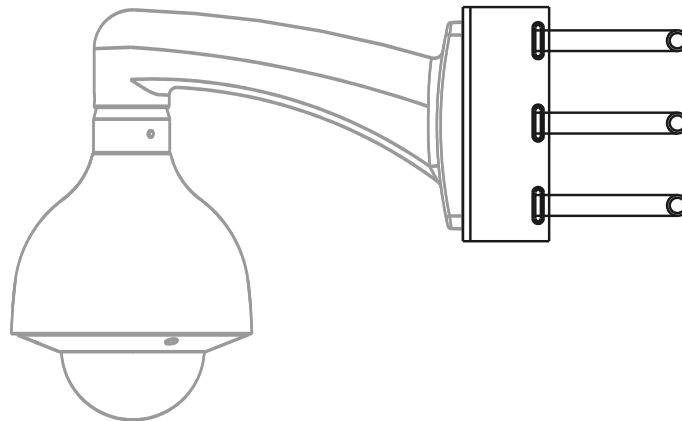
<b>Model</b>	<b>DH-PFA150</b>
<b>General</b>	
Material	SECC
Dimension (W x H x D)	130.4mm x 170mm x 45mm
Pipe Thread	N/A
Operating Temperature	-40°C ~60°C
Humidity	0~90% RH
Load Bearing	10.0Kg
Weight	1Kg
Applicable Model	PFB300S, PFB300W, PFB301W, PFA120, PFA130, PFA131, PFA140, PFB300C, PFB301C, HDC-HFW3200C, IPC-HFW(C)

# DH-PFA150

## Dimensions (mm)



## Application



### Securitem Ltd.

20811 Cesano Maderno (MB) - Italy

Tel: +39-0362-1855440

Fax: +39-02-45503999

Email: [info@setik.biz](mailto:info@setik.biz)

[www.setik.biz](http://www.setik.biz)

\*Design and specifications are subject to change without notice.

© 2013 Dahua Technology Co., Ltd.