

DH-PFB121W

Wall Mount Bracket



Features

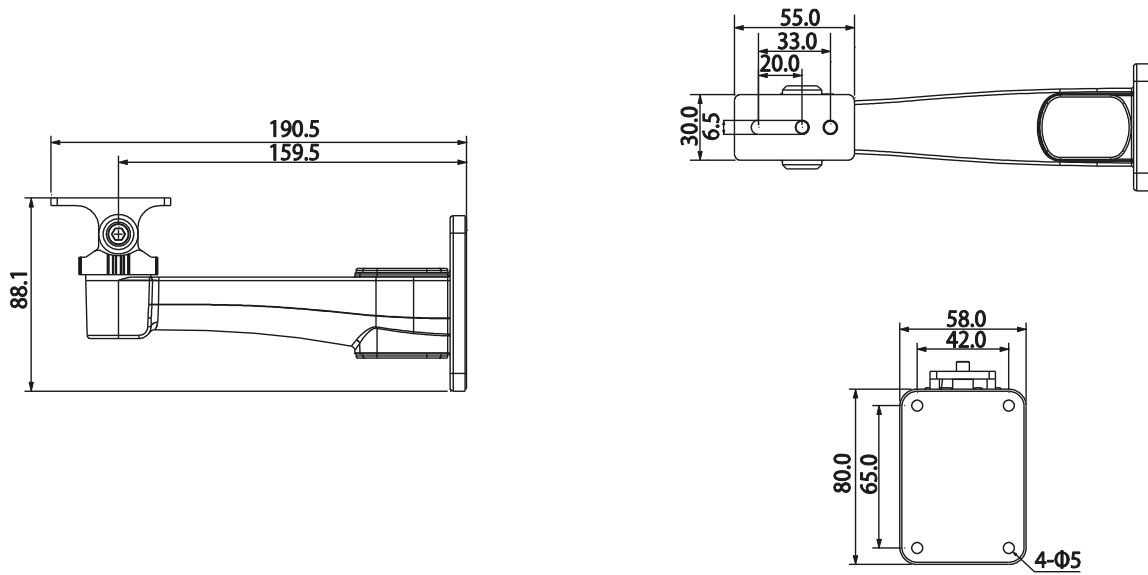
- Material: Aluminum
- Wall Mount Bracket
- Neat & Integrated design

Specifications

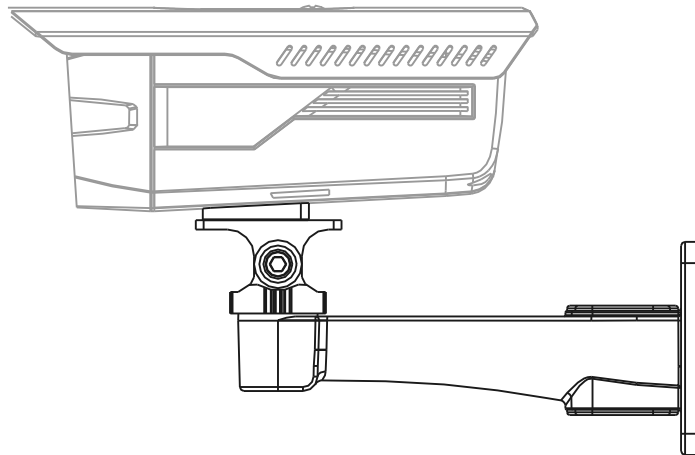
Model	DH-PFB121W
General	
Material	Aluminum
Dimension (W x H x D)	190.5mm(W) x 88mm(H) x 58mm(D)
Pipe Thread	N/A
Operating Temperature	-40°C ~60°C
Humidity	0~90% RH
Load Bearing	1.0Kg
Weight	0.38kg
Applicable Model	CA-F(E/F), CA-FW(D/H/J/K), HAC-HFW(B/D), HDC-HF3200, IPC-HF, IPC-HFW(D)

DH-PFB121W

Dimensions (mm)



Application



Securitem Ltd.

20811 Cesano Maderno (MB) - Italy

Tel: +39-0362-185440

Fax: +39-02-45503999

Email: info@setik.biz

www.setik.biz

*Design and specifications are subject to change without notice.

© 2013 Dahua Technology Co., Ltd.