

1/2.5" Megapixel IR Series

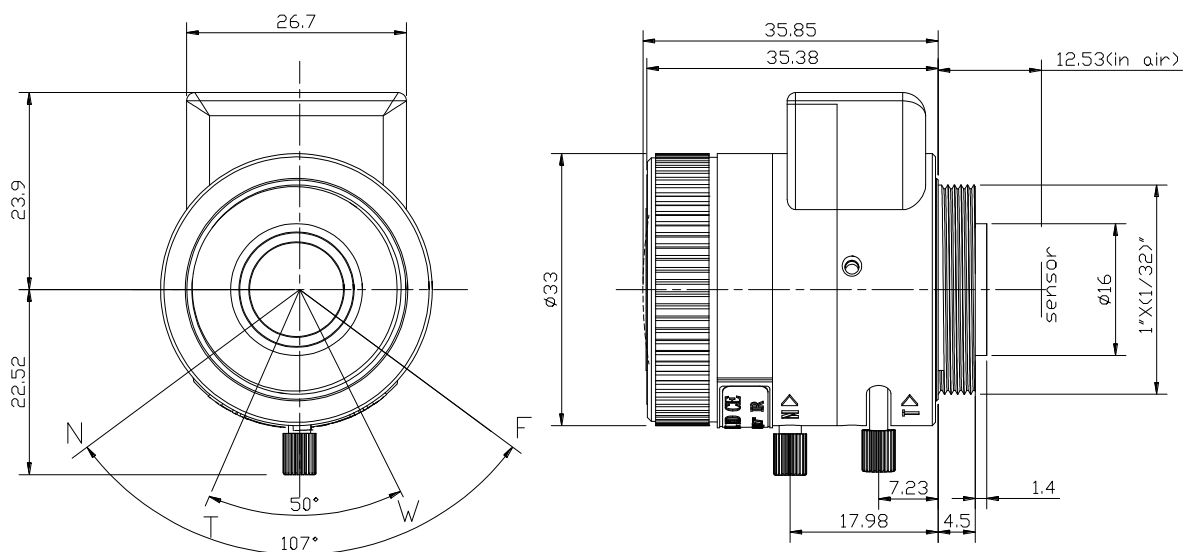
TV033105P.IR-B-S

- 3.3- 10.5mm
- CS Mount
- 1/2.5" Format
- P-Iris
- 5 Megapixel
- IR Correction



有效焦距	E.F.L.		3.3 ~ 10.5 mm
相对孔径	F No.		F1.4
水平视角	H.FOV	1/2.5" 4:3	98° ~ 32°
像面尺寸	Image Format		1/2.5"
光圈类型	Iris Type		P-Iris
接口类型	Mount Type		CS
近摄距	M.O.D		0.3m
畸变	TV Distortion	1/2.5" 4:3	-15% (wide)
主光角	Chief Ray Angle (Max)		<8°
操控方式	Control Type	变倍 Zoom	Manual
		聚焦 Focus	Manual
工作温度	Operating Temperature		-20°C ~ 60°C
镜头重量	Weight		39g ±4g

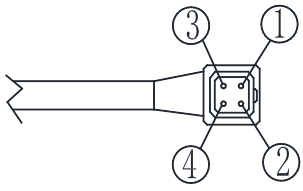
尺寸规格 Dimensions



Tolerance(mm)	0 ~ 10 ±0.05	10 ~ 30 ±0.10	30 ~ 120 ±0.20	Angle ±2°
---------------	--------------	---------------	----------------	-----------

P-Iris

1. Connector and Cord Specification

	1	B
	2	A
	3	\bar{A}
	4	\bar{B}
	Connector	Square 4pin
	Cable Length	250mm

2. P-Iris Specification

Stepping Motor	Motor Type	PM type stepping motor
	No. of Phases	2 phases
	No. of Iris steps	92 steps
	Coil Resistance	28.5Ω/phase, at 20°C
	Storage Temperature	-30 ~ 70°C
Operating	Operation Voltage	2.6 ~ 3.8V
	Operation Frequency	200 ~ 800pps
	Operation Temperature	-20 ~ 60°C

3. Iris

Pin	Step			
	1	2	3	4
A	H	L	L	H
\bar{A}	L	H	H	L
B	H	H	L	L
\bar{B}	L	L	H	H

Iris Open → Close: 1 → 2 → 3 → 4 → 1...

Iris Close → Open: 4 → 3 → 2 → 1 → 4...