

## DS-2CD2T86G2-2I/4I 8 MP IR Fixed Bullet Network Camera



- 1/1.8" Progressive Scan CMOS
- 3840 × 2160 @ 20fps
- 2.8/4/6 mm fixed lens
- 120dB WDR
- Powered by DarkFighter
- H.265+, H.265, H.264+, H.264
- Built-in micro SD/SDHC/SDXC card slot, up to 256 GB
- IP67
- **Human and vehicle classification alarm** based on deep learning.

### AcuSense

Empowered by deep learning algorithms, Hikvision AcuSense technology brings human or vehicle target classification alarms to front- and back-end devices. The system can greatly reduce false alarms generated by targets other than humans or vehicles, vastly improving alarm efficiency and effectiveness.



## Specifications

Camera	
Image Sensor	1/1.8" Progressive Scan CMOS
Min. Illumination	Color: 0.003 Lux @ (F1.6, AGC ON), 0 Lux with IR
Shutter Speed	1/3 s to 1/100,000 s
Slow Shutter	Yes
Day & Night	IR Cut Filter
WDR	120 dB
Angle Adjustment	Pan: 0° to 360°, tilt: 0° to 90°, rotate: 0° to 360°
Lens	
Lens Type	Fixed lens, 2.8/4/6 mm
Aperture	F1.6
FOV	2.8 mm, horizontal FOV: 110.7°, vertical FOV: 59.1°, diagonal FOV: 131° 4 mm, horizontal FOV: 87.1°, vertical FOV: 47.4°, diagonal FOV: 101.8° 6 mm, horizontal FOV: 50.8°, vertical FOV: 27.6°, diagonal FOV: 60°
Lens Mount	M16
Illuminator	
IR Range	-2I: up to 60 m -4I: up to 80 m
Wavelength	850 nm
Video	
Max. Resolution	3840 × 2160
Main Stream	50Hz: 20fps (3840 × 2160, 3072 × 1728), 25fps (2688 × 1520, 1920 × 1080, 1280 × 720) 60Hz: 20fps (3840 × 2160, 3072 × 1728), 30fps (2688 × 1520, 1920 × 1080, 1280 × 720)
Sub-Stream	50Hz: 25fps (640 × 480, 640 × 360, 320 × 240) 60Hz: 30fps (640 × 480, 640 × 360, 320 × 240)
Third Stream	50Hz: 25fps (1280 × 720, 640 × 480, 640 × 360, 320 × 240) 60Hz: 30fps (1280 × 720, 640 × 480, 640 × 360, 320 × 240)
Video Compression	Main stream: H.265+/H.264+/H.265/H.264 Sub-stream: H.265/H.264/MJPEG Third stream: H.265/H.264
H.264 Type	Baseline Profile/Main Profile/High Profile
H.265 Type	Main Profile
Video Bit Rate	32 Kbps to 16 Mbps
Scalable Video Coding (SVC)	H.264 and H.265 encoding support
* When the main stream resolution is 3840 × 2160, max frame rate is 20 fps for all streams.	
Smart Feature-Set	
Perimeter Protection	Line crossing detection, intrusion detection, region entrance detection, region exiting detection (Human&Vehicle classification)
Face Capture	Yes

Basic Event	Motion detection, video tampering alarm, exception (network disconnected, IP address conflict, illegal login, HDD full, HDD error), scene change detection
Linkage Method	Upload to FTP/NAS/memory card, notify surveillance center, send email, trigger recording, trigger capture
Region of Interest	1 fixed region for main stream, sub-stream and third stream
<b>Image</b>	
Image Enhancement	BLC, HLC, 3D DNR
Image Setting	Saturation, brightness, contrast, sharpness, AGC and white balance adjustable by client software or web browser
Day/Night Switch	Day/Night/Auto/Schedule
<b>Network</b>	
Network Storage	microSD/SDHC/SDXC card (256 GB), local storage and NAS (NFS,SMB/CIFS), ANR
Protocols	TCP/IP, ICMP, HTTP, HTTPS, FTP, DHCP, DNS, DDNS, RTP, RTSP, PPPoE, NTP, UPnP, SMTP, SNMP, IGMP, 802.1X, QoS, IPv6, UDP, Bonjour, SSL/TLS
API	ONVIF (PROFILE S, PROFILE G), ISAPI, SDK
Security	Password protection, complicated password, HTTPS encryption, 802.1X authentication (EAP-MD5), watermark, IP address filter, basic and digest authentication for HTTP/HTTPS, WSSE and digest authentication for ONVIF, TLS1.2
Simultaneous Live View	Up to 6 channels
User/Host	Up to 32 users, 3 levels: administrator, operator and user
Client	iVMS-4200, Hik-Connect, Hik-Central
Web Browser	Plug-in required live view: IE8+, Chrome 41.0-44, Firefox30.0-51, Safari8.0-11 Plug-in free live view: Chrome 57.0+, Firefox 52.0+
<b>Interface</b>	
Communication Interface	1 RJ45 10M/100M self-adaptive Ethernet port
On-board storage	Built-in micro SD/SDHC/SDXC slot, up to 256 GB
<b>General</b>	
Web Client Language	32 languages English, Russian, Estonian, Bulgarian, Hungarian, Greek, German, Italian, Czech, Slovak, French, Polish, Dutch, Portuguese, Spanish, Romanian, Danish, Swedish, Norwegian, Finnish, Croatian, Slovenian, Serbian, Turkish, Korean, Traditional Chinese, Thai, Vietnamese, Japanese, Latvian, Lithuanian, Portuguese (Brazil)
General Function	Anti-flicker, three streams, heartbeat, mirror, privacy masks, pixel counter
Reset	Reset via reset button on camera body, web browser and client software
Startup and Operating Conditions	-30 °C to 60 °C (-22 °F to 140 °F), humidity 95% or less (non-condensing)
Storage Conditions	-30 °C to 60 °C (-22 °F to 140 °F), humidity 95% or less (non-condensing)
Power Supply	12 VDC ± 25%, Φ 5.5 mm coaxial power plug; reverse polarity protection; PoE (802.3af, class 3)
Power Consumption and Current	-2I: 12 VDC, 0.63 A, max. 7.5 W; PoE (802.3af, 36 V to 57 V), 0.25 A to 0.16 A, max. 9 W -4I: 12 VDC, 0.88 A, max. 10.5 W; PoE (802.3af, 36 V to 57 V), 0.34 A to 0.21 A, max. 12 W
Material	Metal

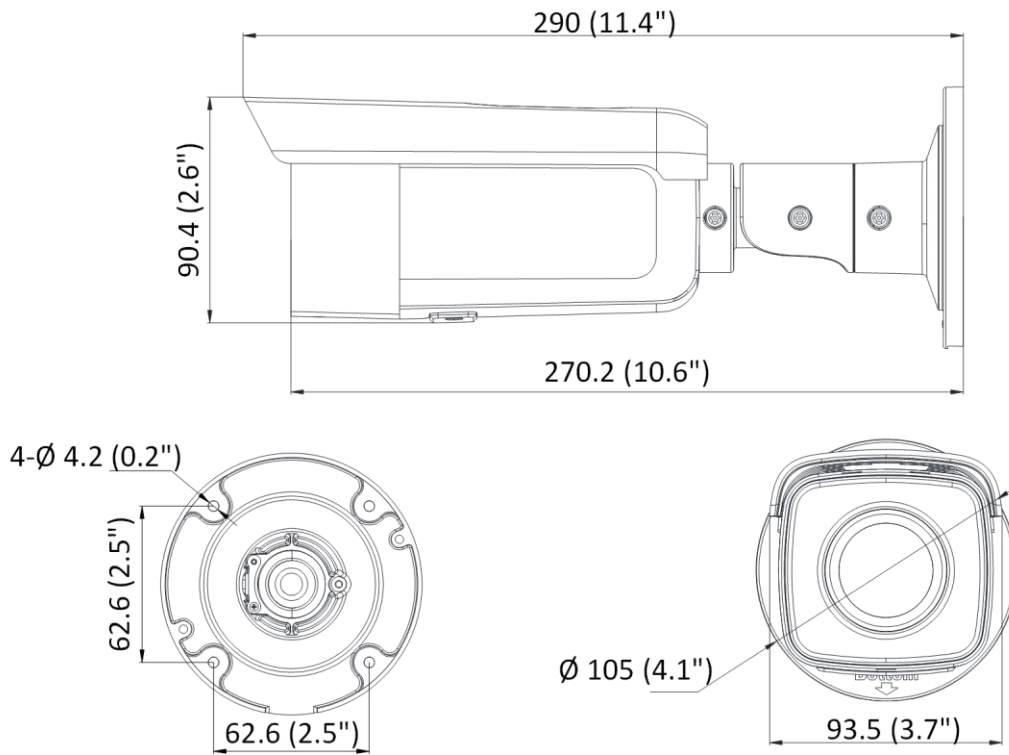
Dimensions	Camera: $\Phi$ 105 × 290 mm ( $\Phi$ 4.1" × 11.4") With package: 386 × 156 × 155 mm (15.2" × 6.1" × 6.1")
Weight	Camera: approx. 1270 g (2.8 lb.) With package: approx. 1510 g (3.3 lb.)
<b>Approval</b>	
EMC	FCC (47 CFR Part 15, Subpart B); CE-EMC (EN 55032: 2015, EN 61000-3-2: 2014, EN 61000-3-3: 2013, EN 50130-4: 2011 +A1: 2014); RCM (AS/NZS CISPR 32: 2015); IC (ICES-003: Issue 6, 2016); KC (KN 32: 2015, KN 35: 2015)
Safety	UL (UL 60950-1); CB (IEC 60950-1:2005 + Am 1:2009 + Am 2:2013); CE-LVD (EN 60950-1:2005 + Am 1:2009 + Am 2:2013); BIS (IS 13252(Part 1):2010+A1:2013+A2:2015); LOA (IEC/EN 60950-1)
Chemistry	CE-RoHS (2011/65/EU); WEEE (2012/19/EU); Reach (Regulation (EC) No 1907/2006)
Protection	Ingress protection: IP67 (IEC 60529-2013)

\* Listed resolutions are only selectable options. It does not mean that all streams can work at their maximum resolution at the same time.

### Available Model

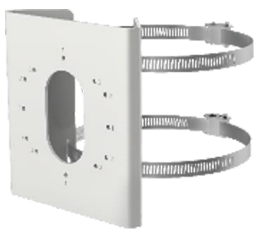
- DS-2CD2T86G2-2I (2.8 mm)
- DS-2CD2T86G2-2I (4 mm)
- DS-2CD2T86G2-2I (6 mm)
- DS-2CD2T86G2-4I (2.8 mm)
- DS-2CD2T86G2-4I (4 mm)
- DS-2CD2T86G2-4I (6 mm)

**Dimension**



Unit: mm(inch)

**Accessory**



**DS-1275ZJ-S-SUS**  
Vertical pole mount



**DS-1260ZJ**  
Junction box



**DS-1276ZJ-SUS**  
Corner mount



**DS-1280ZJ-S**  
Junction box