

DH-HAC-HDW2120E

1.3Megapixel 720P Water-proof IR HDCVI Dome Camera



Features

- 1/3" 1.3Megapixel CMOS
- 25/30/50/60fps@720P
- High speed, long distance real-time transmission
- HD and SD switchable
- OSD Menu, control over coaxial cable
- DWDR, Day/Night(ICR), AWB, AGC, BLC, 3DNR
- 3.6mm fixed lens (2.8mm, 6mm optional)
- Max. IR LEDs length 50m, Smart IR
- IP67, DC12V

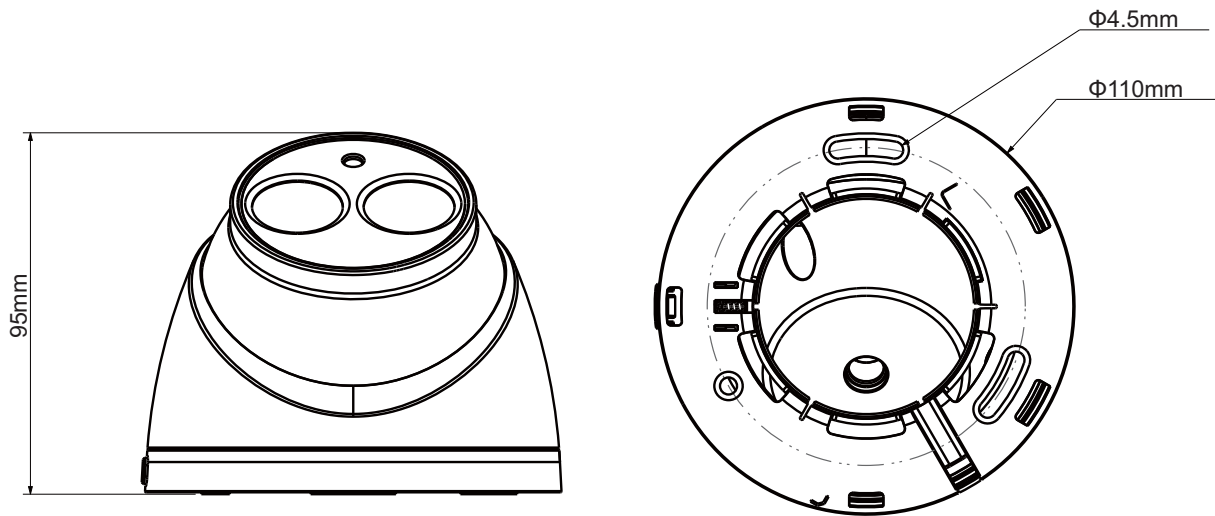
DH-HAC-HDW2120E

Technical Specifications

Model	DH-HAC-HDW2120EP	DH-HAC-HDW2120EN
Camera		
Image Sensor	1/3" 1.3Megapixel CMOS	
Effective Pixels	1305(H)×977(V)	
Electronic Shutter	1/3s~1/100,000s	
Video Frame Rate	25/50fps@720P	30/60fps@720P
Synchronization	Internal	
Mini. Illumination	0.01Lux/F1.6, 0Lux IR on	
Video Output	1-channel BNC HDCVI high definition video output/ CVBS standard definition video output (Can switch)	
Camera Features		
Max. IR LEDs Length	50m, Smart IR	
Day/Night	Auto(ICR) / Color / B/W	
Noise Reduction	2D/3D	
OSD Menu	Support	
Lens		
Focal Length	3.6mm (2.8mm, 6mm optional)	
Angle of View	H: 72.3° (89° /46°)	
Mount Type	M12	
General		
Power Supply	DC12V±20%	
Power Consumption	Max 4W	
Working Environment	-30°C~+60°C / Less than 95%RH (no condensation)	
Transmission Distance	Over 800m via 75-3 coaxial cable	
Ingress Protection	IP67	
Dimensions(W×D×H)	Φ110mm×95mm	
Weight	0.3kg	
Material	Metal (inner core) + Plastic (cover)	

DH-HAC-HDW2120E

Dimensions (mm)



Accessories (optional)

		
PFB200W	PFA136	PFA152

Securitem Ltd.

Via del Commercio 1
20851 Lissone (MB) - Italy
Tel: +39-0362-1855440
Fax: +39-02-45503999
Email: info@setik.biz
www.setik.biz

*Design and specifications are subject to change without notice.

© 2013 Dahua Technology Co., Ltd.