

## PFA100

### Mount Adapter



### Features

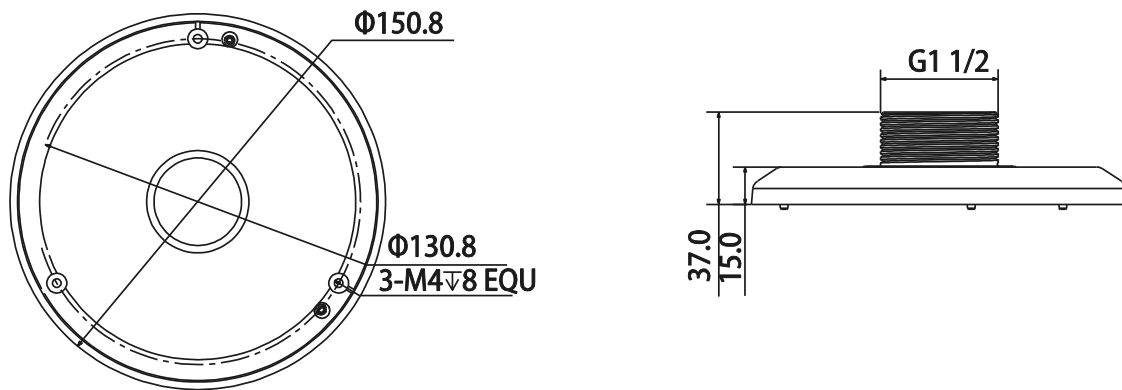
- Material: Aluminum
- Mount Adapter
- Neat & Integrated design

### Specifications

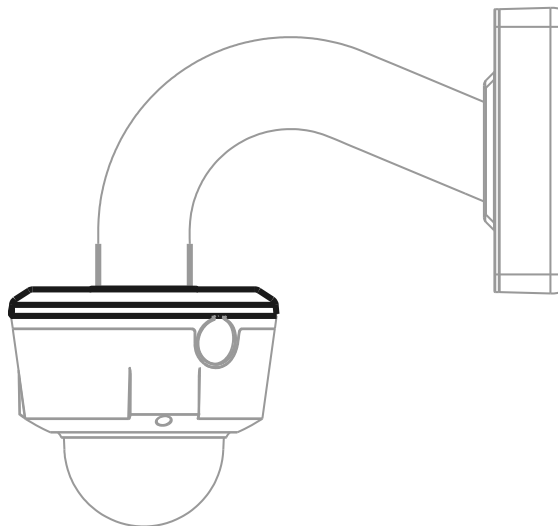
Model	PFA100
<b>General</b>	
Material	Aluminum
Dimension (W x H x D)	φ150.8mm x 37mm
Pipe Thread	G1 1/2"
Operating Temperature	-40°C ~60°C
Humidity	0~90% RH
Load Bearing	3.0Kg
Weight	0.21Kg
Applicable Model	Please see "Accessory Selection"

# PFA100

## Dimensions (mm)



## Application



### Securitem Ltd.

Via del Commercio 1  
20851 Lissone (MB) - Italy  
Tel: +39-0362-1855440  
Fax: +39-02-45503999  
Email: info@setik.biz  
www.setik.biz

\*Design and specifications are subject to change without notice.

© 2013 Dahua Technology Co., Ltd.