

## PFB203W

### Water-proof Wall Mount Bracket



### Features

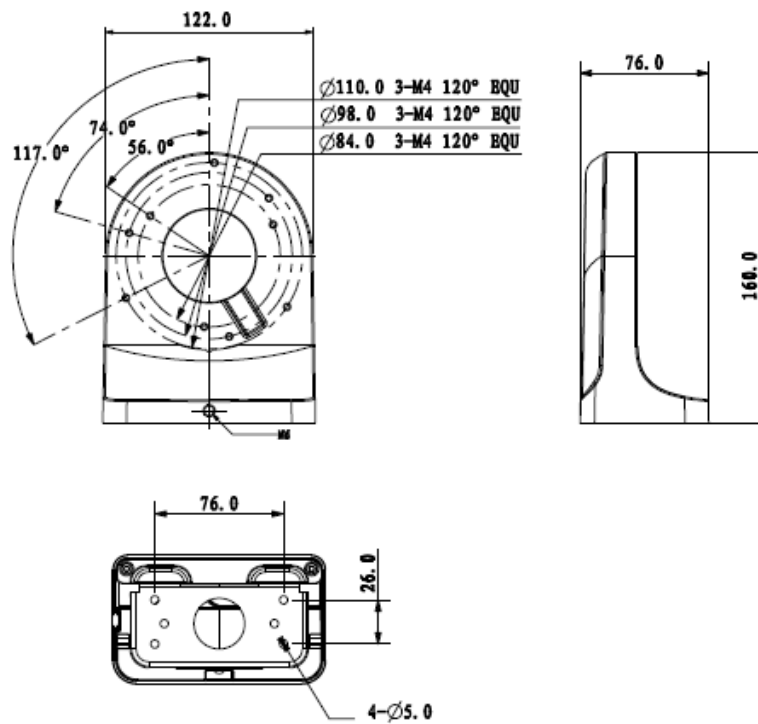
- Material: Aluminum
- Wall Mount Bracket
- Neat & Integrated design

### Specifications

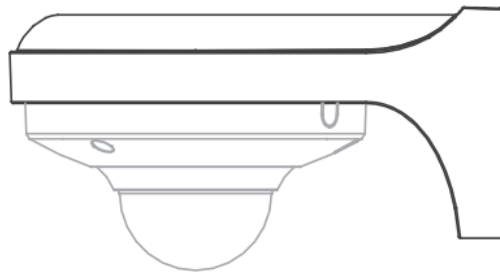
Model	PFB203W
<b>General</b>	
Material	Aluminum
Dimension (L x W x H)	160mm x 122mm x 76mm
Operating Temperature	-40°C~60°C
Humidity	0~90% RH
Load Bearing	1.0Kg
Weight	0.50Kg
Color	White
Applicable Model	Please see "Accessory Selection"

# PFB203W

## Dimensions (mm)



## Application



### Securitem Ltd.

Via del Commercio 1 20851

Lissone (MB) - Italy

Tel: +39-0362-1855440

Fax: +39-02-45503999

Email: info@setik.biz

www.setik.biz - www.dahua.it

\*Design and specifications are subject to change without notice.

© 2013Dahua Technology Co., Ltd.