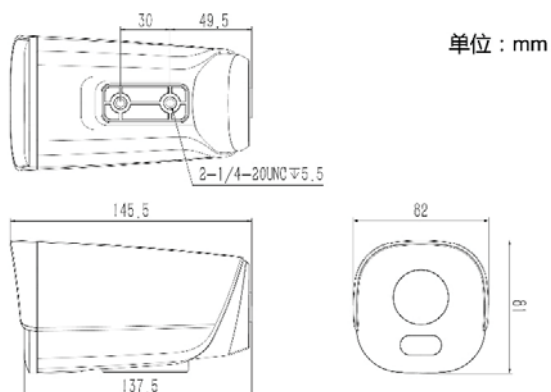




Features

- Up to 1920X1080@15fps
- H.264/M-JPEG Codec
- Min. Illumination Color: 0.02 Lux, B/W: 0.05Lux, 0 Lux with IR
- Smart IR, IR Range: 20-30m
- Operating Conditions -30℃ ~ 60℃ (IR OFF) / -35℃ ~ 40℃ (IR ON), 0 ~ 95% RHG
- IP66

Dimensions



Camera	
Image Sensor	1/2.7" CMOS
Core Processor	ARM9 Architecture
Operating System	Embedded Linux
Signal System	PAL/NTSC
Min. Illumination	Color: 0.02Lux B/W: 0.01Lux
Shutter Time	1s to 1/100,000s
Lens	4mm
Auto Iris	N/A
Wide Dynamic Range	Y
Digital Noise Reduction	3D DNR
Compression Standard	
Video Compression	H.264/M-JPEG
Video Bit Rate	32Kbps~8Mbps
Image	
Max. Image Resolution	1920x1080
Frame Rate	PAL:1080p@15fps; NTSC:1080P@15FPS
couple Stream	Mainstream:1080P(1920*1080) Substream:D1(704*576)
Image Settings	Brightness, Saturation, Contrast, Flip Mode Adjustable by Client Software or Web Browser
HLC	Y
Smart Defog	Y
OSD	16x16, 32x32, 24x24, 48x48, 64x64, 96x96 Size Letters Such as Week, Date, Time, Total 1 Regions
Network	
Browser	built-in web server
NTP	Y
Alarm Trigger	Motion Detection/IP Conflict/MAC Conflict/Port Alarm/Mask Alarm
Protocols	TCP/UDP/HTTP/MULTICAST/UPnP/DHCP/DDNS/FTP/NTP/RTSP/SMTP
User Permission	4 Level/8 Users
System Compatibility	ONVIF (Profile S)
Interface	
Audio Input	N/A
Audio Output	N/A
Communication Interface	1-ch RJ45 10M / 100M Ethernet Interface
Alarm Input	N/A
Alarm Output	N/A
Video Output	N/A
General	
Language	English, Simplified Chinese
Operating Conditions	-30℃ ~ 60℃, 0 ~ 95% RHG
Power Supply	DC 12 V ± 20%, POE
Power Consumption	Max. 3.5W(IR OFF) (ICR Instant Switch 5.5W)
Impact Protection	IP66
IR Range	20m
Dimensions	145.5mm (length) x 82mm (width) x 81mm (height)
Weight	0.5KG

* The latest product information / specification can be found at <http://en.tiandy.com/>

